



MANATEC

... In Technology state of mind

GENIE 3D

In-lift 3D Wheel Aligner with **2 cameras**
Suitable for **Scissor** or **Four Post Lift**

- Adjustments at any convenient height
- Space Saver
- No Fixed columns



// embrace CHANGE
with innovative technology in Wheel Alignment

Exporting to 60+ countries

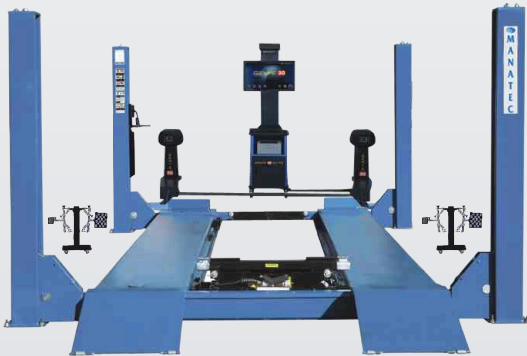
GENIE 3D ELITE

Model : **GENIE 3D Elite SCL**
for Wheel Alignment Scissor Lift



◀ Suitable for In-ground & On-ground lift ▶

Model : **GENIE 3D Elite FPL**
for Four Post Lift



GENIE 3D COMPACT

Model : **GENIE 3D Compact SCL**
for Wheel Alignment Scissor Lift



Model : **GENIE 3D Compact FPL**
for Four Post Lift



PC console & Peripherals

PC console & Peripherals

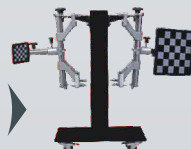


Mobile cabinet for PC

◀ 21.5" LED monitor display ▶

Target Plate Stand

Separate mobile stand for Wheel bracket & Target plates



Equipped with Easy fix provision for Wheel bracket & Target plates



UNIQUE ADVANTAGES



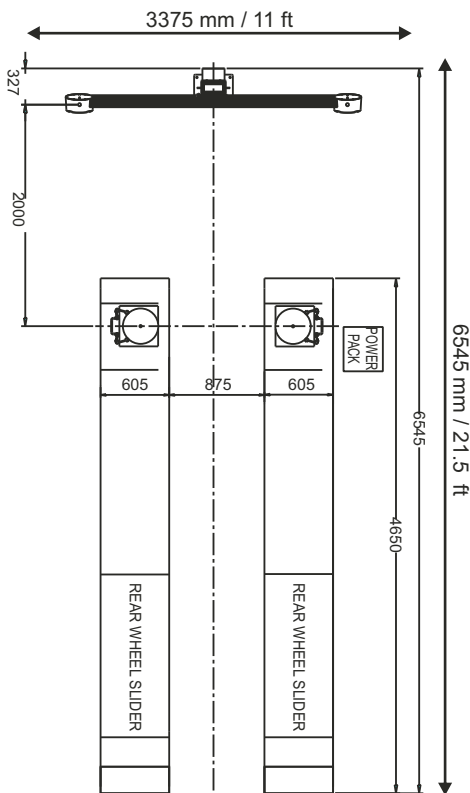
Measurement at floor level



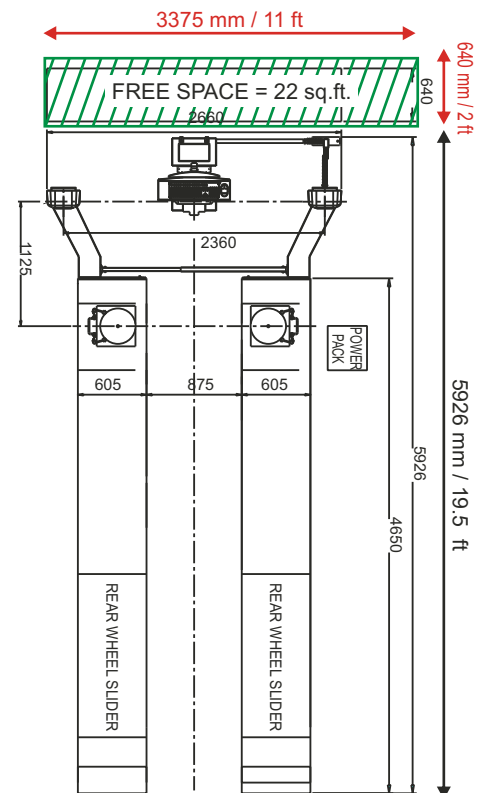
Adjustment at any convenient height
No height restrictions

GENIE 3D - SPACE SAVER

Conventional 3D



Genie 3D



- Requires the least space
- GENIE 3D can be installed in 11' x 19' space
- No need for minimum distance between Wall and the lift
- Free space in the shop floor can be effectively utilized

All dimensions in mm

GENIE 3D CAMERAS

- Genie 3D is a creatively designed module with Hi-definition cameras to capture images of the targets on wheels.
- Genie 3D is the **only aligner in the world** using just 2 cameras for an in-lift model to measure all alignment parameters.

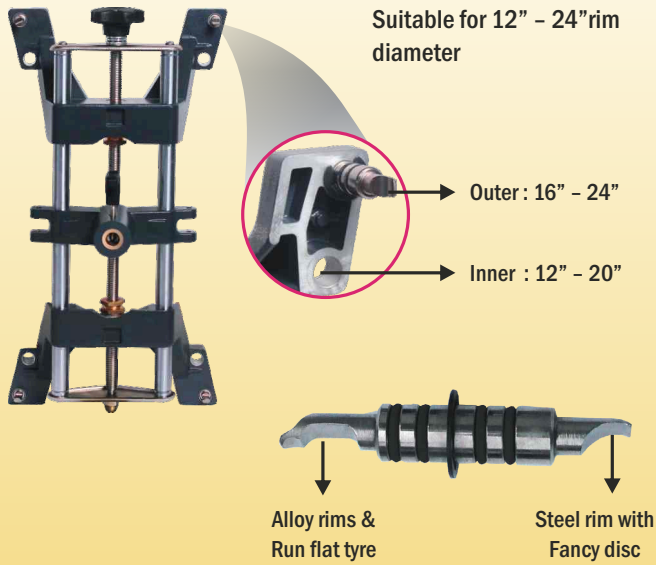


MICRO TARGETS



- No electronics on wheels
- Less maintenance
- Free from Battery charging & discharging issues
- Safe & easy to handle

UNIVERSAL WHEEL BRACKET



Smart Support without Internet



Highly user-friendly Wi-Fi enabled Tablet & Mobile device to display alignment results & to operate PC from Alignment bay. Avoids multiple trips to PC console.

TECHNICAL SPECIFICATIONS

Measurement parameters	Range	Accuracy
Camber (Front / Rear)	± 15° 00'	± 00° 02'
Caster	± 28° 00'	± 00° 02'
Kingpin Inclination	± 25° 00'	± 00° 05'
Toe (Front / Rear)	± 20° 00'	± 00° 02'
Total Toe	± 40° 00'	± 00° 02'
Toe Out on Turns	± 25° 00'	± 00° 02'
Setback (Front / Rear)	± 25 mm	± 1 mm
Thrust angle	± 05° 00'	± 00° 01'
Runout	± 10° 00'	± 00° 02'
Included angle	± 40° 00'	± 00° 05'
Track width difference	± 300 mm	± 5 mm
Power supply (wheel Aligner)	230V / 110V AC, 50Hz / 60Hz	
Power supply (lift)	380V AC, 3 phase, 50Hz / 220V AC, 3 phase, 60Hz	
Power consumption	250W	
Operating temperature	0° - 50°C	

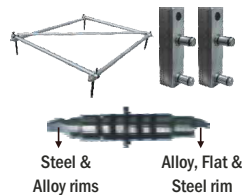
STANDARD ACCESSORIES

- Target Plates - 4 Nos.
- Wheel brackets (12" - 24") - 4 Nos.
- Rotary Plates - (2 ton) - 2 Nos.
- Steering Lock - 1 No.
- Brake Pedal Lock - 1 No.
- Wheel stoppers - 4 Nos.
- Target stands (for Elite model) - 2 Nos.
- PC with LED Monitor, Keyboard & mouse - 1 No.
- Align+ & Data Manager Software - 1 No.



OPTIONAL ACCESSORIES

- Four shaft Calibration kit - 1 No.
- Wheel Bracket adapters (10" - 26") - 16 Nos.
- Rim locking pins - 16 Nos.



C-22 & 23, Industrial Estate, Thattanchavay, Pondicherry - 605 009. INDIA.
 Ph : +91 413 2232900 ❖ Fax : +91 413 2232938
 Email : sales@manatec.in / exports@manatec.in

