

JALTEST ADAS

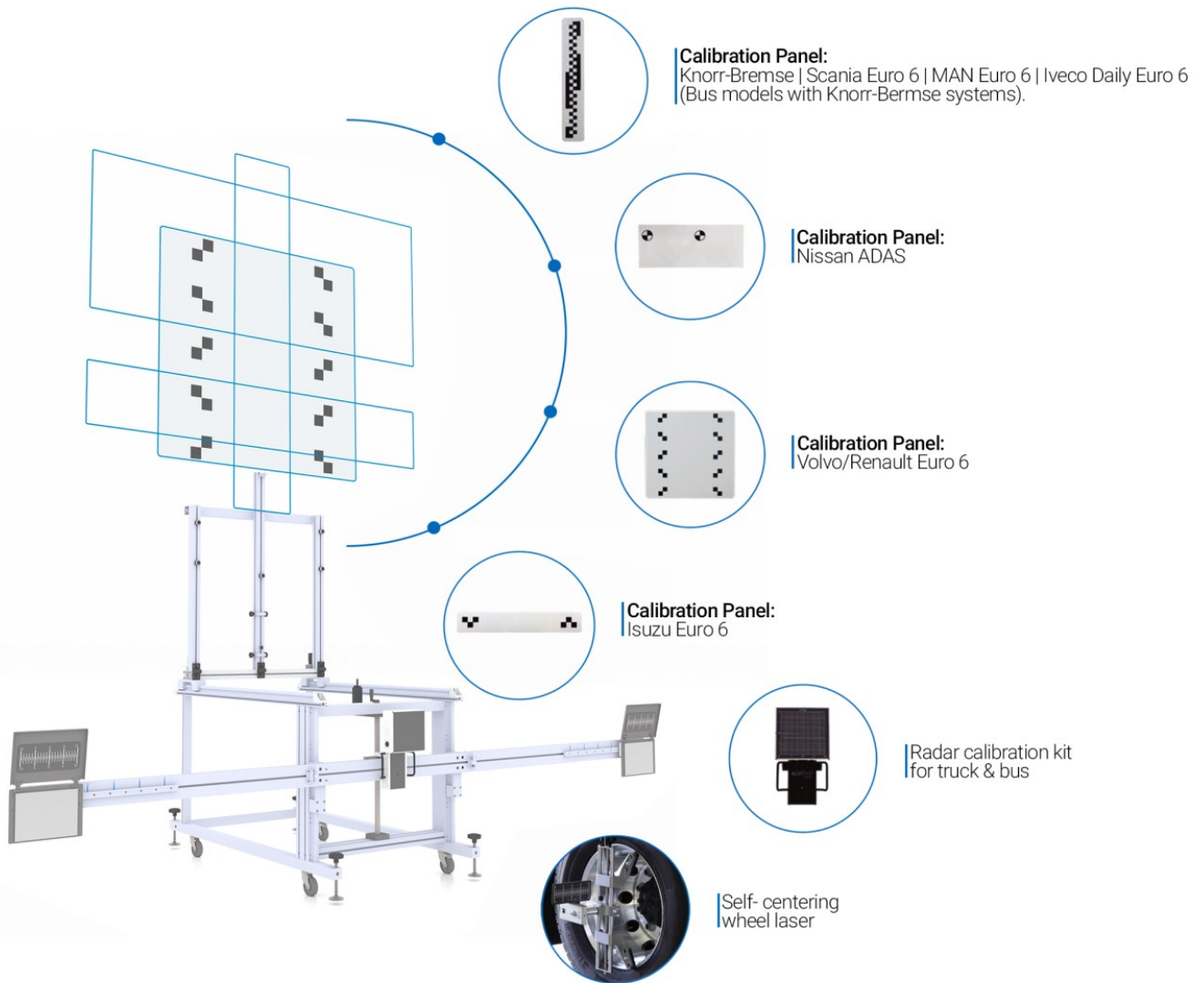
Jaltest ADAS (advanced driver assistance systems) is the latest in automotive equipment for the calibration of the camera and radar-based ADAS systems for truck & bus.

COVERAGE

Jaltest ADAS coverage from truck, bus and light commercial vehicle, with a wide coverage of 30 brands and 370 models.

FEATURES

- Dynamic and static calibration
- Folding modular frame
- Multibrand calibration panels



WHEEL CLAMPS



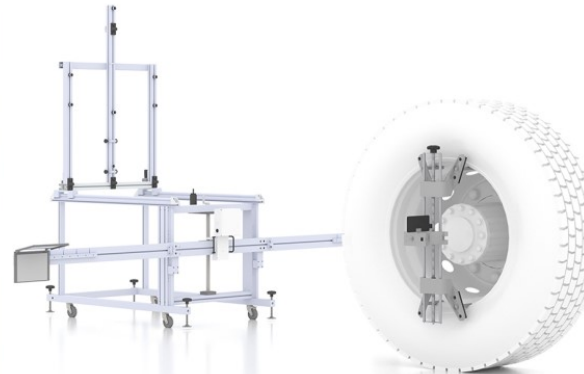
CENTERING LASERS



RADAR CALIBRATION



CALIBRATION FRAME



AECS
AUTOMOTIVE EQUIPMENT & TRAINING

06 874 9077 | INFO@AECS.NET | AECS.NET